

No.	Revisions	Date

VERSION 1.0

CASING SPECIALTIES LEASE

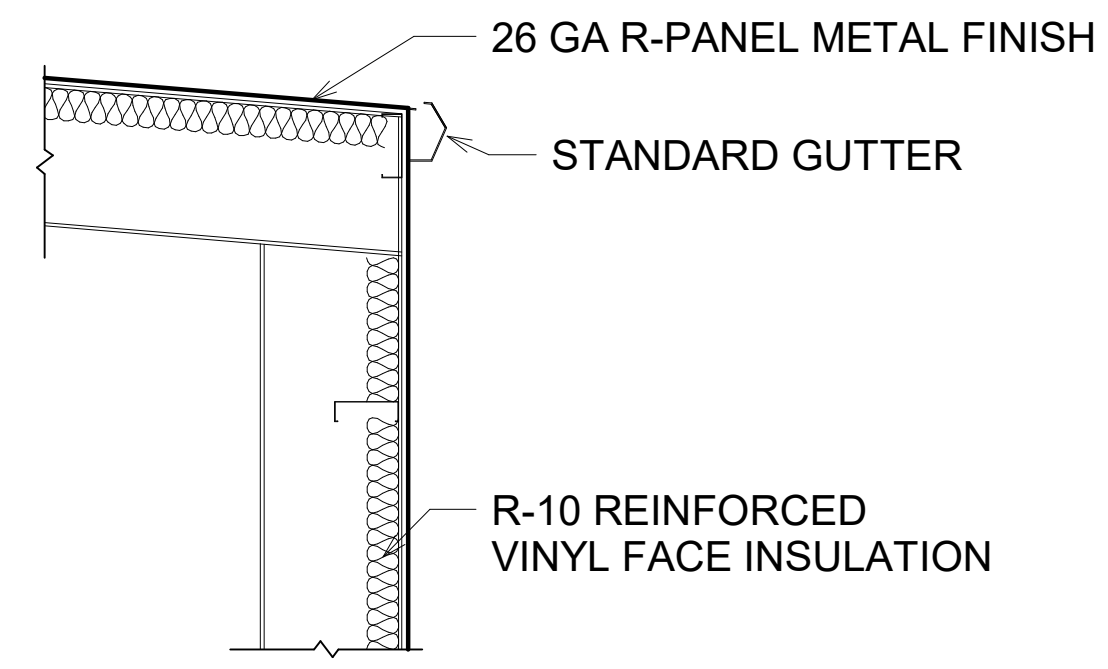
FLOOR PLAN

Project number -
 Date 5/23/19
 Drawn by MF
 Checked by RF

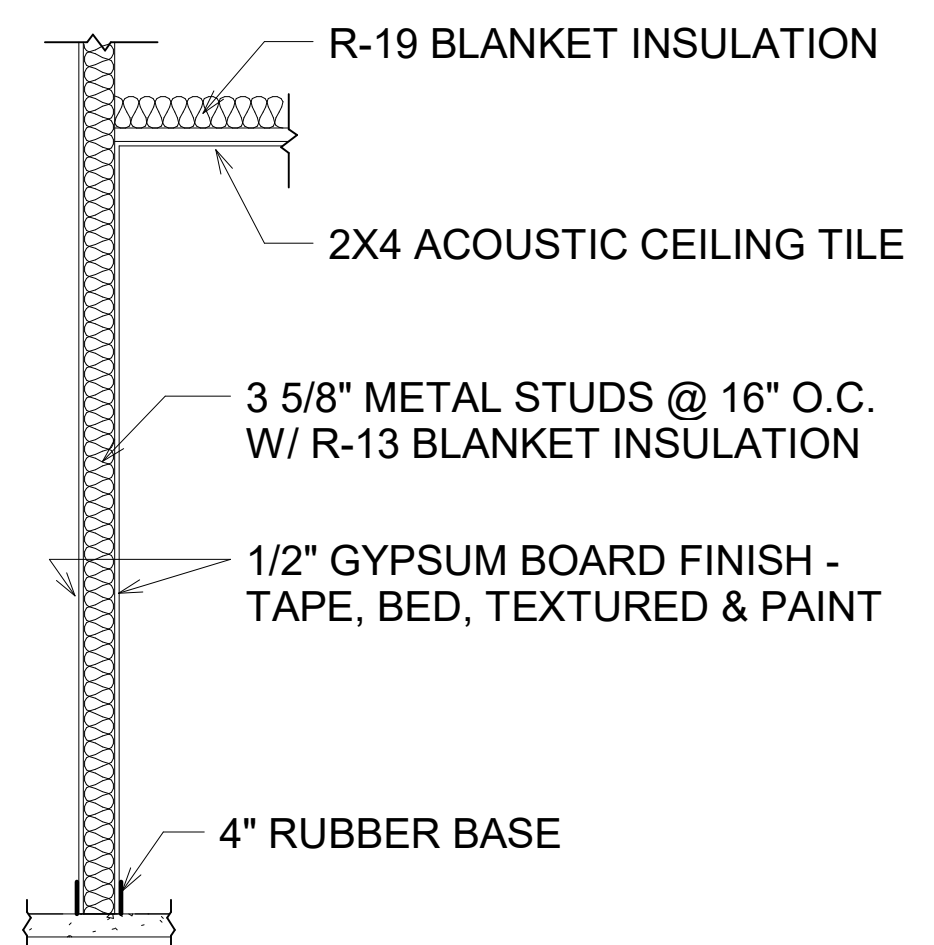
A101
 Scale As indicated

5/23/2019 1:08:40 PM

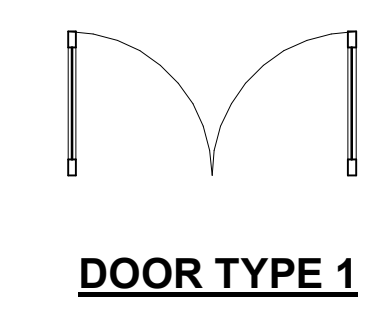
① LEVEL 1
3/16" = 1'-0"



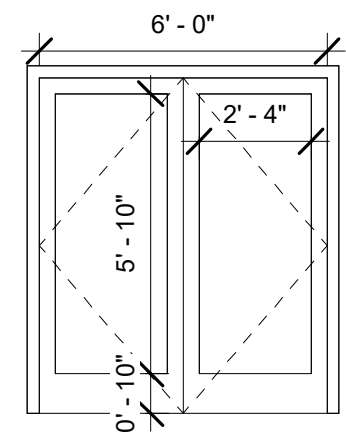
② TYPICAL EXTERIOR 8" METAL WALL
1/2" = 1'-0"



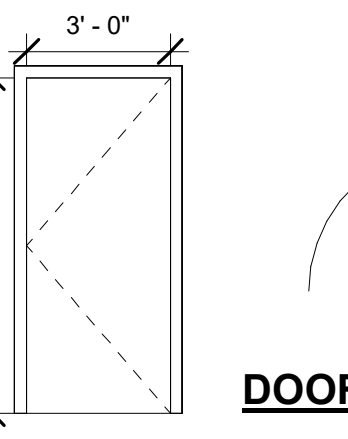
③ TYPICAL INTERIOR 4" PARTITION WALL
1/2" = 1'-0"



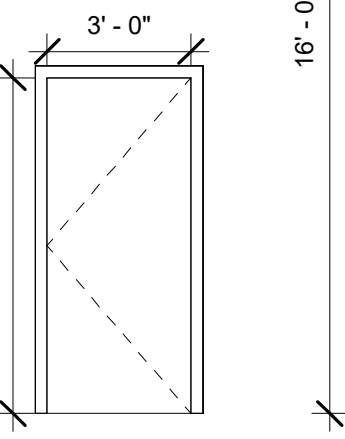
DOOR TYPE 1



DOOR TYPE 2



DOOR TYPE 3



DOOR TYPE 4

○ DOOR LEGEND
1/4" = 1'-0"

WINDOW SCHEDULE						
MARK	QUANTITY	SIZE		SILL HEIGHT	CONSTRUCTION TYPE	COMMENTS
		WIDTH	HEIGHT			
A	9	3' - 0"	5' - 0"	2' - 0"	TEMPERED LOW-E BRONZE GLASS & ALUMINUM	

DOOR SCHEDULE							
MARK	QUANTITY	SIZE		CONSTRUCTION TYPE	FINISH	FRAME MATERIAL	COMMENTS
		WIDTH	HEIGHT				
1	1	6' - 0"	7' - 0"	TEMPERED LOW-E BRONZE GLASS	-	ALUMINUM	
2	5	3' - 0"	7' - 0"	INSULATED METAL	PAINT		
3	11	3' - 0"	7' - 0"	SOLID WOOD CORE	PAINT	PAINTED WOOD	
4	9	16' - 0"	16' - 0"	INSULATED STEEL BACK SECTIONAL	PRIMER	STEEL	

